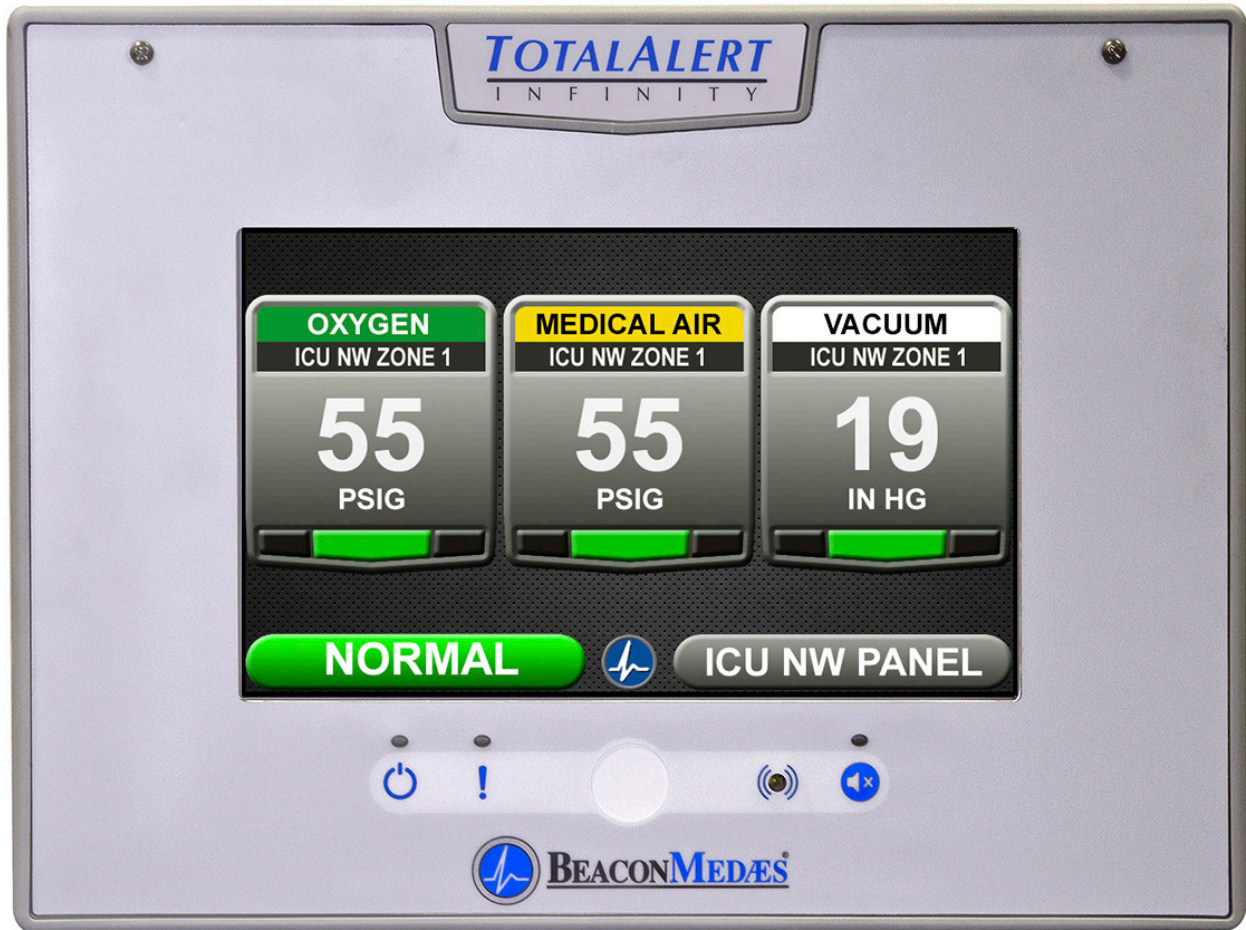


## Parts List



## MEGA3 / TotalAlert Infinity™ NFPA Medical Gas Notification System

Part number 4107 9017 55

Revision 00

December 16, 2015





## Parts List

# MEGA3 / TotalAlert Infinity™ NFPA Medical Gas Notification System

This unit is purchased from: \_\_\_\_\_

Date purchased: \_\_\_\_\_

Model number: \_\_\_\_\_

Part number: \_\_\_\_\_

Option(s) included: \_\_\_\_\_

Any information, service or spare parts requests should be directed to:

### **BeaconMedæs**

1800 Overview Drive  
Rock Hill, SC 29730

Telephone: (888) 463-3427

Fax: (803) 817-5750

**BeaconMedæs reserves the right to make changes and improvements to update products sold previously without notice or obligation.**

Part number 4107 9017 55

Revision 00

December 16, 2015



# Medical Gas Notification System

---

## Table of Contents

---

1	Front Panel Assembly-MEGA3 & TotalAlert Infinity (Standard & Retrofit)	4
2	Rear Panel Master Alarm Assembly	6
3	Rear Panel Area Alarm Assembly	8
4	Rear Panel Combo Alarm Assembly	12
5	Retrofit Rear Assembly, Master, Area, Combo	14
6	Optional Trim Panel kit	18

# Medical Gas Notification System

---

# Medical Gas Notification System

---

**Revision**

00

**Description**

Initial Release

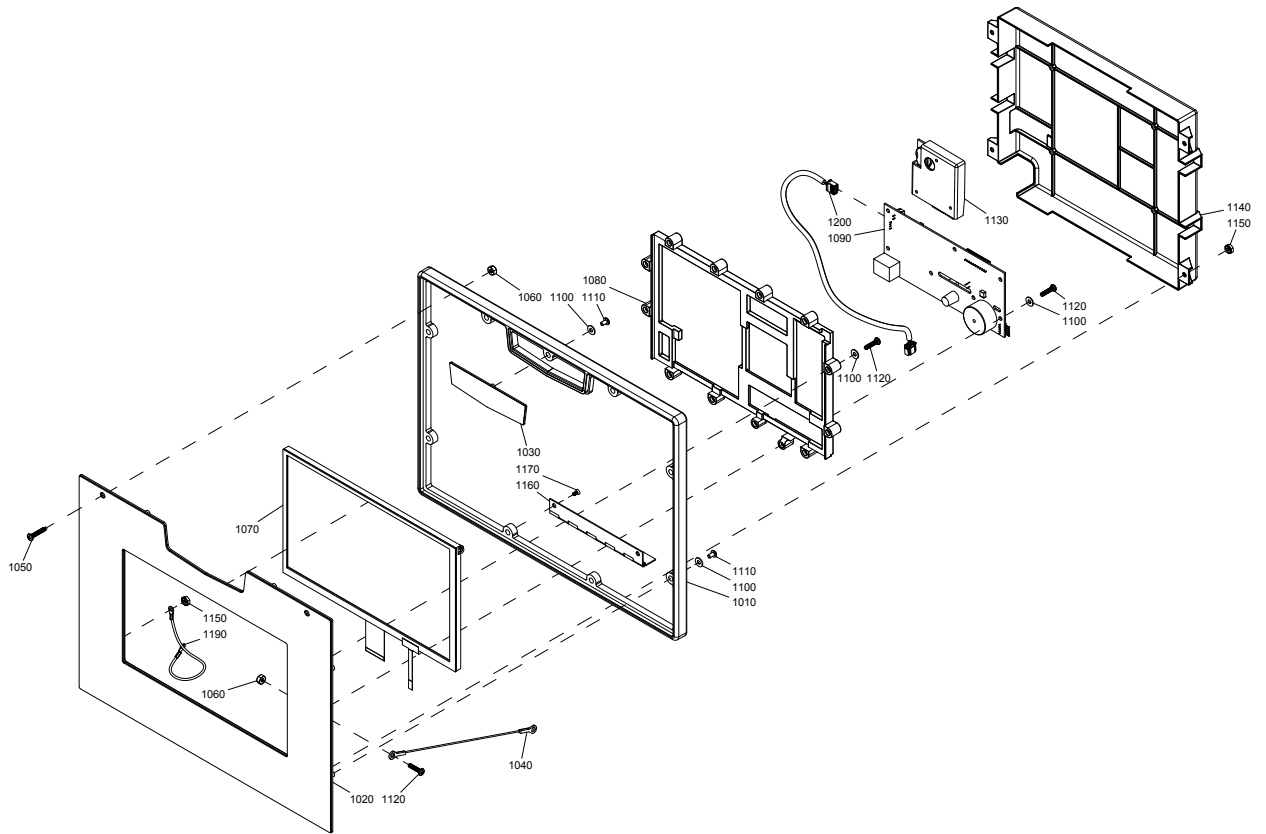
**Date**

December 16, 2015

# Medical Gas Notification System

---

1



4107 2129 11

# Medical Gas Notification System

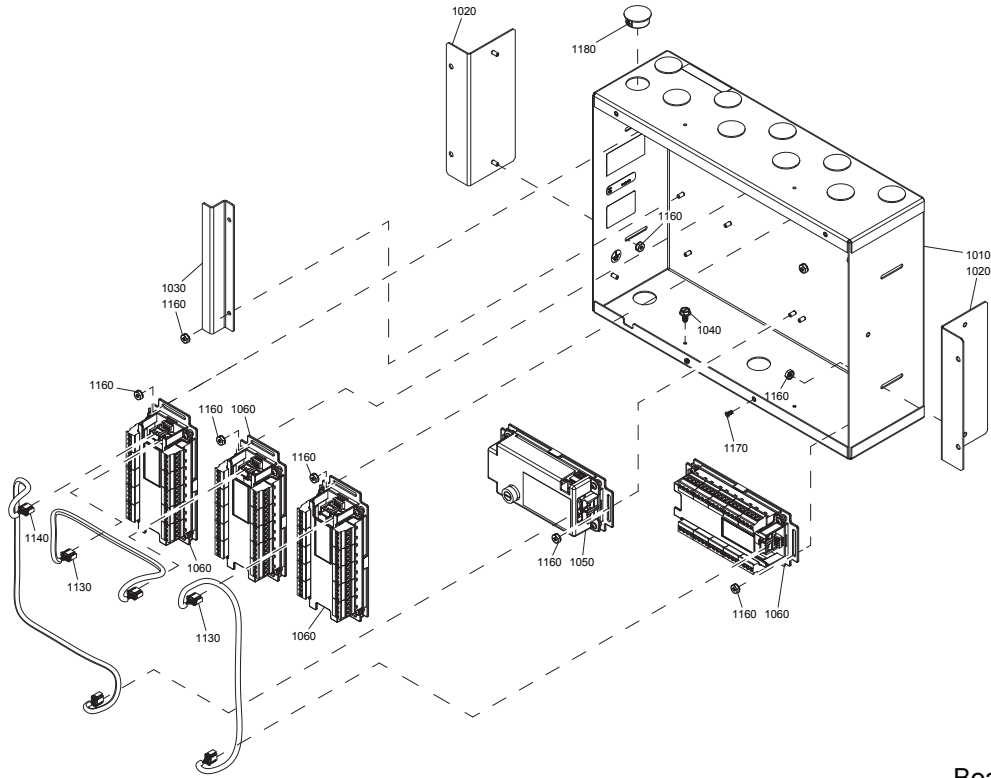
## Front Panel Assembly-MEGA3 & TotalAlert Infinity (Standard & Retrofit)

1

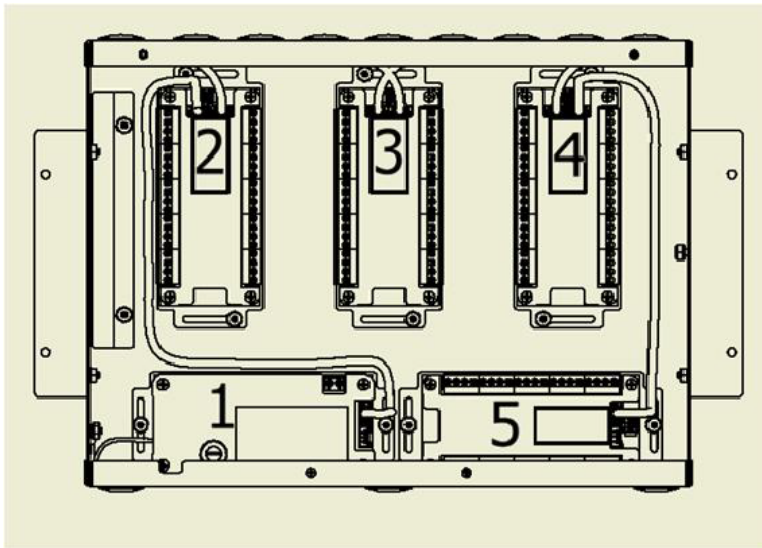
Ref.No.	Part Number	Qty	Name	Remarks
		1	<b>Front Panel Assembly MEGA3 TotalAlert Infinity</b>	
1010	4107 6538 22	1	Front Panel Trim	
1020	4107 6549 90	1	Front Panel	
1030		1	Badge	
	4107 6538 47		MEGA3	
	4107 6538 46		TotalAlert Infinity	
1040	838104-00	1	Lanyard	
1050	811673-00	2	Screw #6-32, .75"	
1060	4107 6523 38	3	Nut #6-32, ny-lok	
1070	4107 6550 00	1	LCD 10" touch display	
1080	4107 6550 02	1	Mounting Bracket	
1090	4107 4017 35	1	PCB Display Board (B00) Service Kit	
1100	4107 6519 54	20	Washer	
1110	811608-00	7	Screw #6-32, .25"	
1120	4107 6547 80	14	Screw #6-32, .625"	
<b>1130</b>	<b>4107 4016 36</b>	<b>1</b>	<b>TotalAlert Infinity Advance Module (B03) Service Kit</b>	<b>*Only available for TotalAlert Infinity</b>
	4107 6542 67	1	Bat CR-2032 lithium coin cell	
1140	4107 6550 04	1	Front Panel Cover	
1150	827530-00	5	Nut #6-32	
1160	838982-00	1	Hinge front panel	
1170	4107 6540 01	2	Hinge Screw #6-32, .25"	
1190	4107 6539 37	1	Cable Panel Earth Ground (GRN/YEL)	
1200	4107 6539 35	1	Cable Power/Communication	

# Medical Gas Notification System

2



Board Location



Board Position

	1	2	3	4	5
B00	B05				
M01	B05	B40			
M10	B05	B10			
M11	B05	B10	B40		
M12	B05	B10	B40	B41	
M13	B05	B10	B40	B41	B42
M20	B05	B10	B11		
M21	B05	B10	B11	B40	
M22	B05	B10	B11	B40	B41
M30	B05	B10	B11	B12	
M31	B05	B10	B11	B12	B40
M40-R	B05	B20			

4107 2129 54

# Medical Gas Notification System

---

## Rear Panel Master Alarm Assembly

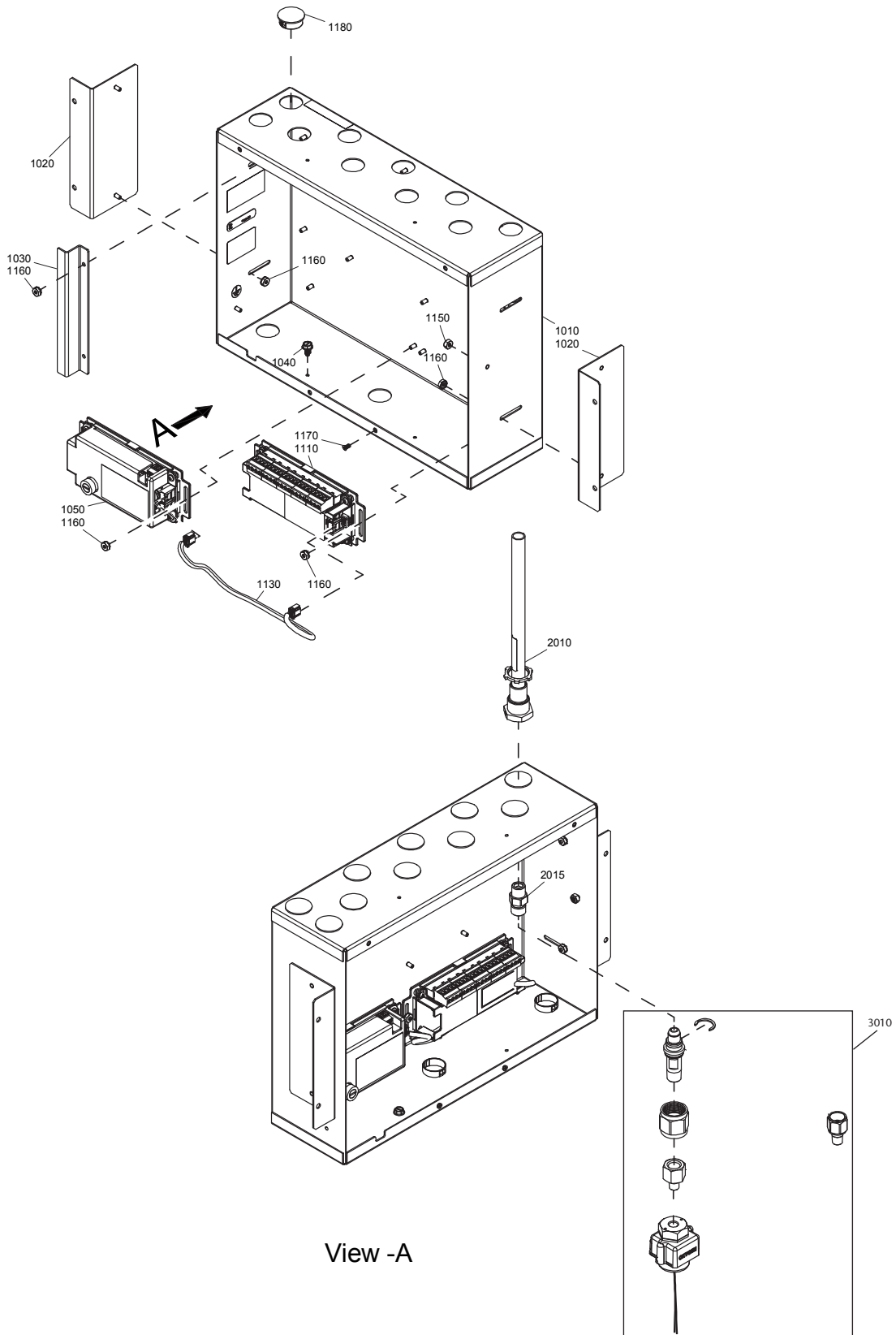
2

---

Ref.No.	Part Number	Qty	Name	Remarks
1010	4107 6538 30	1	Rough - In Box	
1020	4107 6538 38	2	Mounting Bracket	
1030	4107 6538 33	1	Cable Raceway	
1040	814008-00	1	Ground Screw	
1050	4107 4016 37	1	Power Supply Module Asm (B05) Service Kit	
1060	4107 4016 38	-	Signal Input Module Asm (B1X) Service Kit	
-	4107 4016 41	-	Relay Output Module Asm (B4X) Service Kit	
1130	4107 6539 35	AR	Cable 12" Power/Communication	
1140	4107 6539 38	AR	Cable 20" Power/Communication	
1160	827530-00	AR	Nut #6-32	
1170	4107 6540 01	2	Hinge Screw #6-32, 0.25"	
1180	836836-00	13	Plug	

# Medical Gas Notification System

3



4107 2129 35

# Medical Gas Notification System

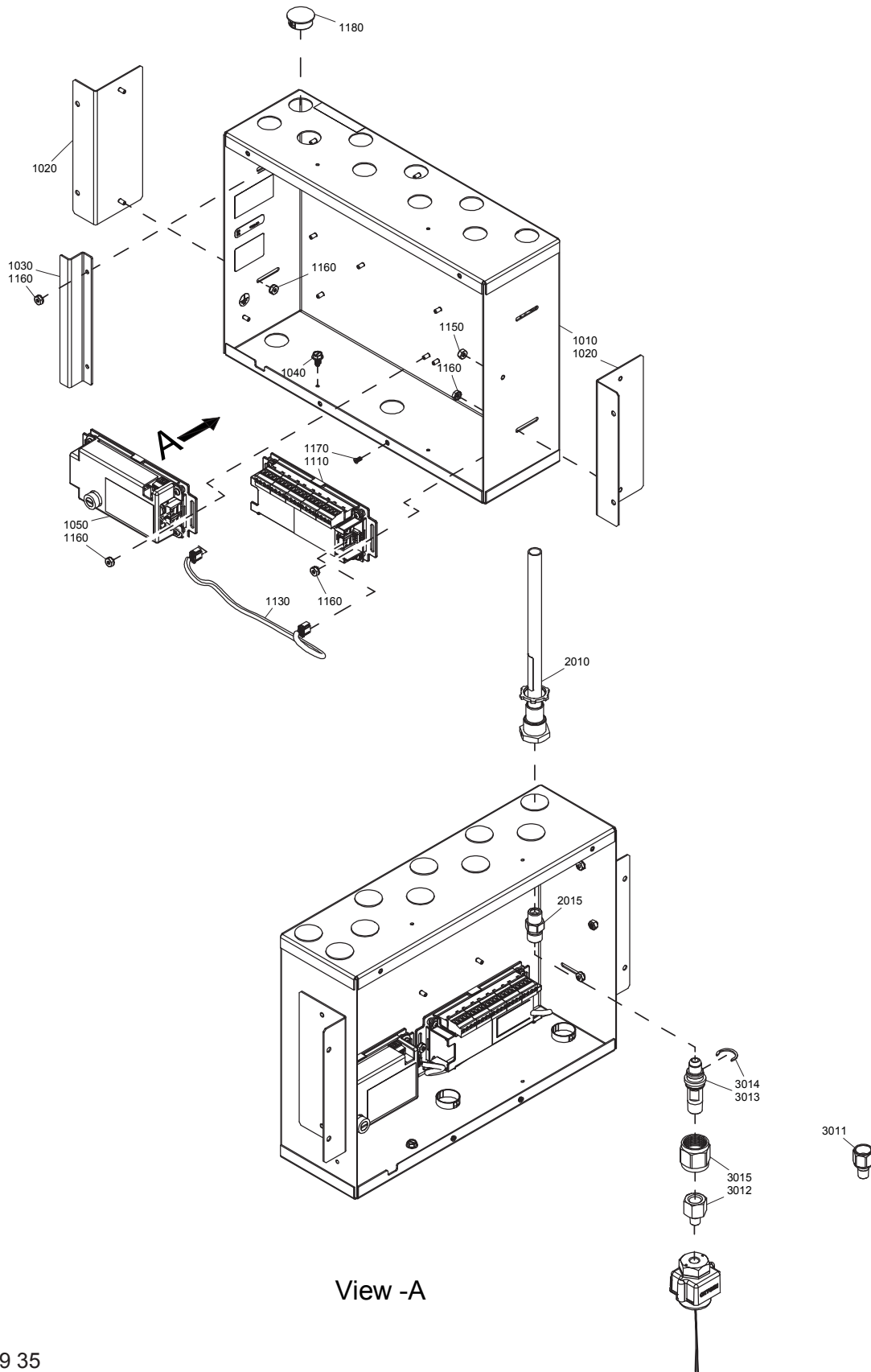
## Rear Panel Area Alarm Assembly

3

Ref.No.	Part Number	Qty	Name	Remarks
1010	4107 6538 30	1	Rough - In Box	
1020	4107 6538 38	2	Mounting Bracket	
1030	4107 6538 33	1	Cable Raceway	
1040	814008-00	1	Ground Screw	
1050	4107 4016 37	1	Power Supply Module Asm (B05) Service Kit	
1110	4107 4016 43	1	Digital Gas Input Module Asm (B60) Service Kit	
1130	4107 6539 35	1	Cable 12" Power/Communication	
1150	4107 6523 38	1	Nut #6-32, ny-lock	
1160	827530-00	11	Nut #6-32	
1170	4107 6540 01	2	Hinge Screw #6-32, 0.25"	
1180	836836-00	13	Plug	
<b>2010</b>	-	<b>1</b>	<b>Gas Tube Assembly</b>	<b>(Contact Customer Service For Part No.)</b>
2015		1	Adaptor, DISS Check	
	121211-10		Oxygen	
	121211-11		Nitrogen	
	121211-12		Medical Air	
	121211-13		Vaccum & Lab Vac	
	121211-14		Nitrogen	
	121211-18		Inst Air & Lab Air	
	121211-19		WAGD & AGSS	
	121211-20		CO2 and CO2-O2	
	121211-22		O2-CO2	
	121211-23		He and He-O2	
	121211-24		O2-He	
	4107 6551 64		Argon	
	4107 6551 67		N2O-O2	
3010		1	Gas Sensor asm	
	4107 4016 54		Kit O2 Sensor Assembly Service	
	4107 4016 55		Kit N2O Sensor Assembly Service	
	4107 4016 56		Kit AIR Sensor Assembly Service	
	4107 4016 57		Kit VAC Sensor Assembly Service	
	4107 4016 58		Kit N2 Sensor Assembly Service	
	4107 4016 59		Kit IAIR Sensor Assembly Service	
	4107 4016 60		Kit WAGD Sensor Assembly Service	
	4107 4016 61		Kit CO2 Sensor Assembly Service	
	4107 4016 62		Kit CO2-O2 Sensor Assembly Service	
	4107 4016 63		Kit O2-CO2 Sensor Assembly Service	
	4107 4016 64		Kit He-O2 Sensor Assembly Service	
	4107 4016 65		Kit O2-He Sensor Assembly Service	
	4107 4016 66		Kit He Sensor Assembly Service	
	4107 4016 67		Kit LAB-AIR Sensor Assembly Service	
	4107 4016 68		Kit LAB-VAC Sensor Assembly Service	
	4107 4016 69		Kit O2-100 Sensor Assembly Service	
	4107 4016 70		Kit AIR-100 Sensor Assembly Service	
	4107 4016 71		Kit CO2-100 Sensor Assembly Service	
	4107 4016 72		Kit AR Sensor Assembly Service	
	4107 4016 73		Kit AGSS Sensor Assembly Service	

# Medical Gas Notification System

3



4107 2129 35

# Medical Gas Notification System

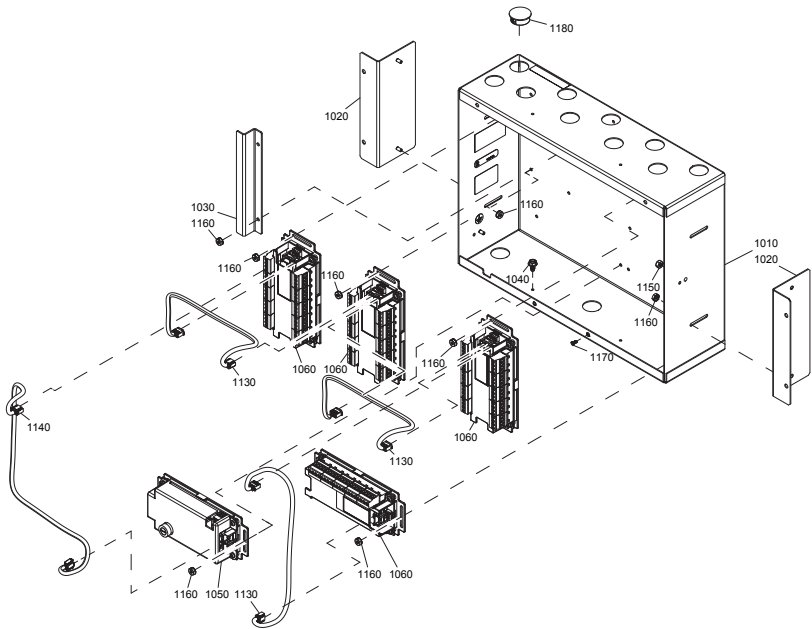
## Rear Panel Area Alarm Assembly

3

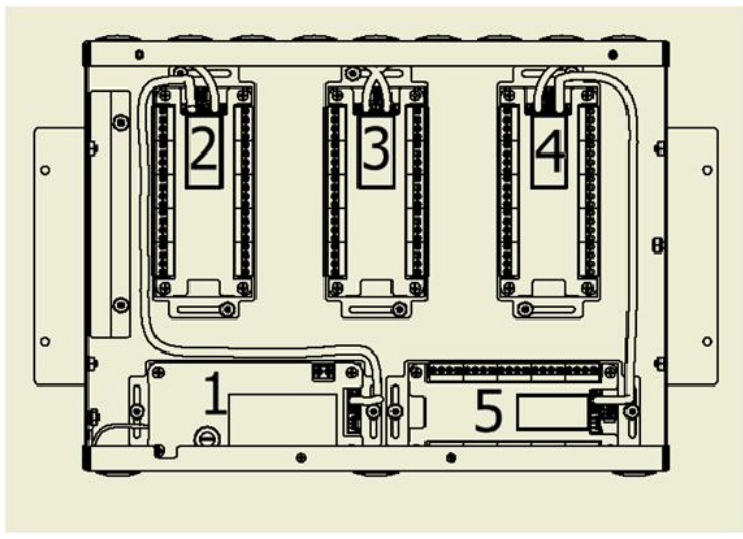
Ref.No.	Part Number	Qty	Name	Remarks	
3011	4107 4016 74	1	Kit N2O-O2 Sensor Assembly Service		
			DISS Adaptor		
	121209-10		Oxygen		
	121209-11		Nitrous oxide		
	121209-12		Medical Air		
	121209-13		Vaccum		
	121209-14		Nitrogen		
	121209-19		WAGD		
3012	121209-20		CO2 and CO2-O2		
3013	835001-00	1	Adaptor, NPT 1/4" x 1/8"		
3014	3013	1	DISS Nipple		
	511620-00		Inst.Air & Lab Air		
	511614-00		O2-CO2		
	511616-00		He-O2 & Helium		
	511617-00		O2-He		
	4107 6551 62		Argon		
	4107 6551 65		N2O-O2		
	3014	835601-00	1	Retaining Ring	
3015	835910-00		0.608" ID		
			0.497"ID		
	3015	4107 6551 63	1	DISS Nut	
		4107 6551 66		Argon	
		511511-00		N2O-O2	
		511518-00		CO2-O2, O2-CO2, He-O2, O2-He	
			Inst. Air & Lab Air		

# Medical Gas Notification System

4



Board Location



Board Position

	1	2	3	4	5
C01	B05				B65
C10	B05	B10			B60
C11	B05	B10	B40		B60
C12	B05	B10	B40	B41	B60
C20	B05	B10	B11		B60
C21	B05	B10	B11	B40	B60
C30	B05	B10	B11	B12	B60
C40	B05	B50			
C41	B05	B10	B50		
C42	B05	B10	B11	B50	
C43	B05	B10	B11	B12	B50
C44	B05	B50			B60

4107 2129 85

# Medical Gas Notification System

---

## Rear Panel Alarm Combo Assembly

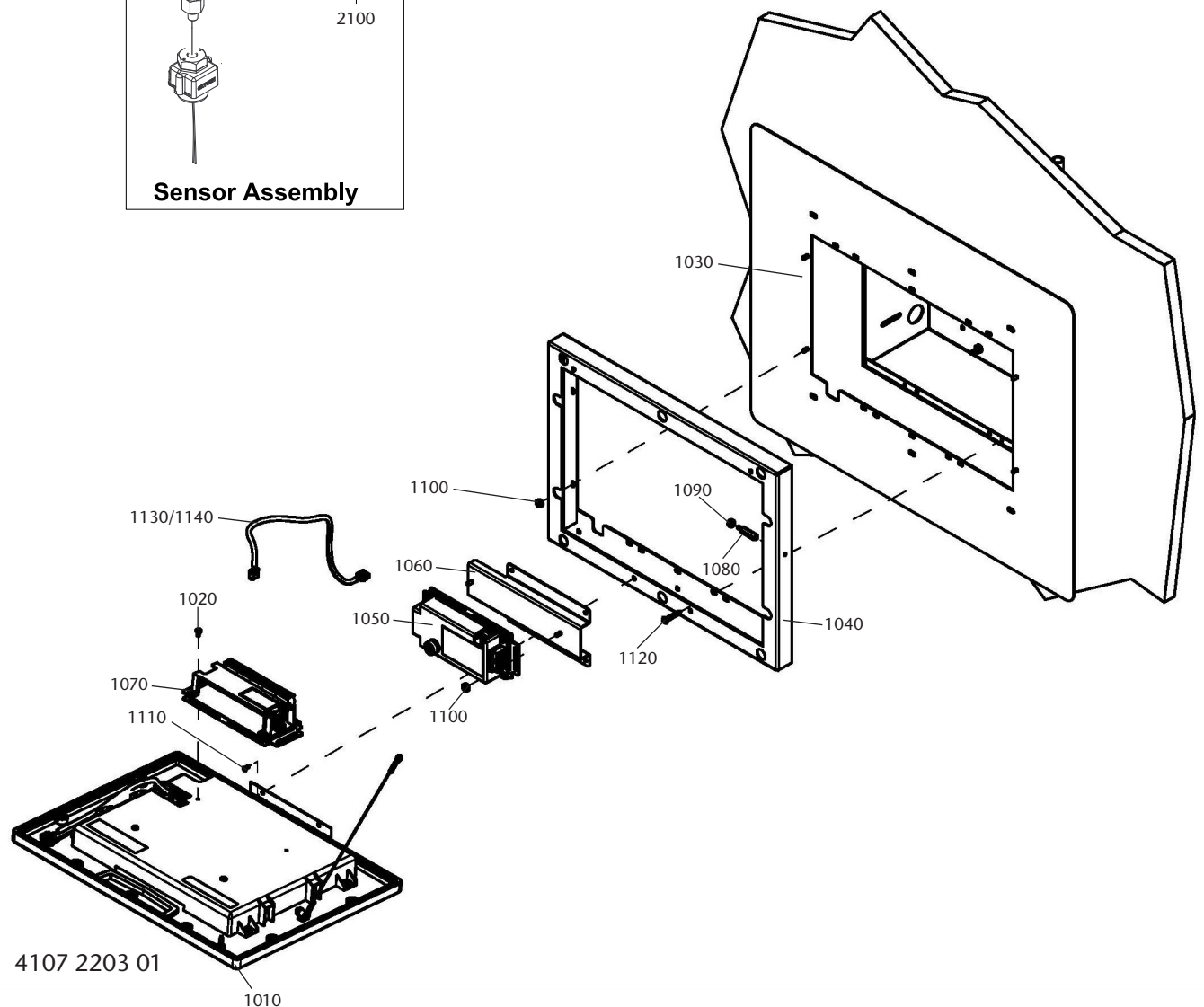
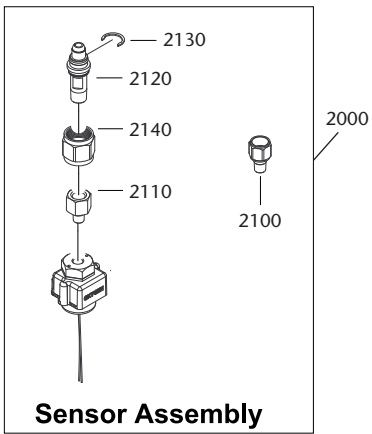
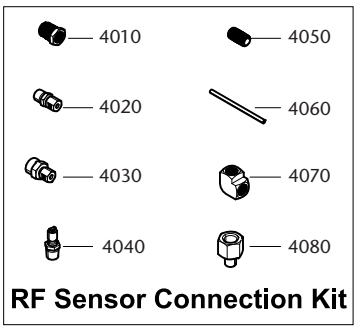
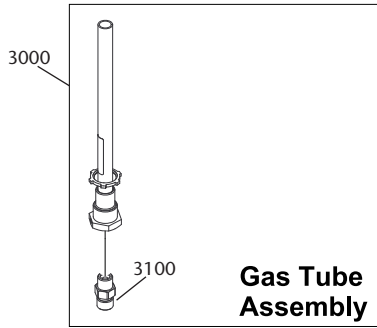
---

4

Ref.No.	Part Number	Qty	Name	Remarks
1010	4107 6538 30	1	Rough - In Box	
1020	4107 6538 38	2	Mounting Bracket	
1030	4107 6538 33	1	Cable Raceway	
1040	814008-00	1	Ground Screw	
1050	4107 4016 37	1	Power Supply Module Asm (B05) Service Kit	
1060	4107 4016 38	-	Signal Input Module Asm (B1X) Service Kit	
-	4107 4016 41	-	Relay Output Module Asm (B4X) Service Kit	
-	4107 4016 42	-	Combo Module 4-20mA (B50) Service Kit	
-	4107 4016 43	-	Gas Input Board (B60) Service Kit	
-	4107 4016 44	-	Gas Combo Board (B65) Service Kit	
1130	4107 6539 35	AR	Cable 12" Power / Communication	
1140	4107 6539 38	AR	Cable 20" Power / Communication	
1150	4107 6523 38	1	Nut #6-32, ny-lock	
1160	827530-00	AR	Nut #6-32	
1170	4107 6540 01	2	Hinge Screw #6-32, 0.25"	
1180	836836-00	13	Plug	

# Medical Gas Notification System

5



# Medical Gas Notification System

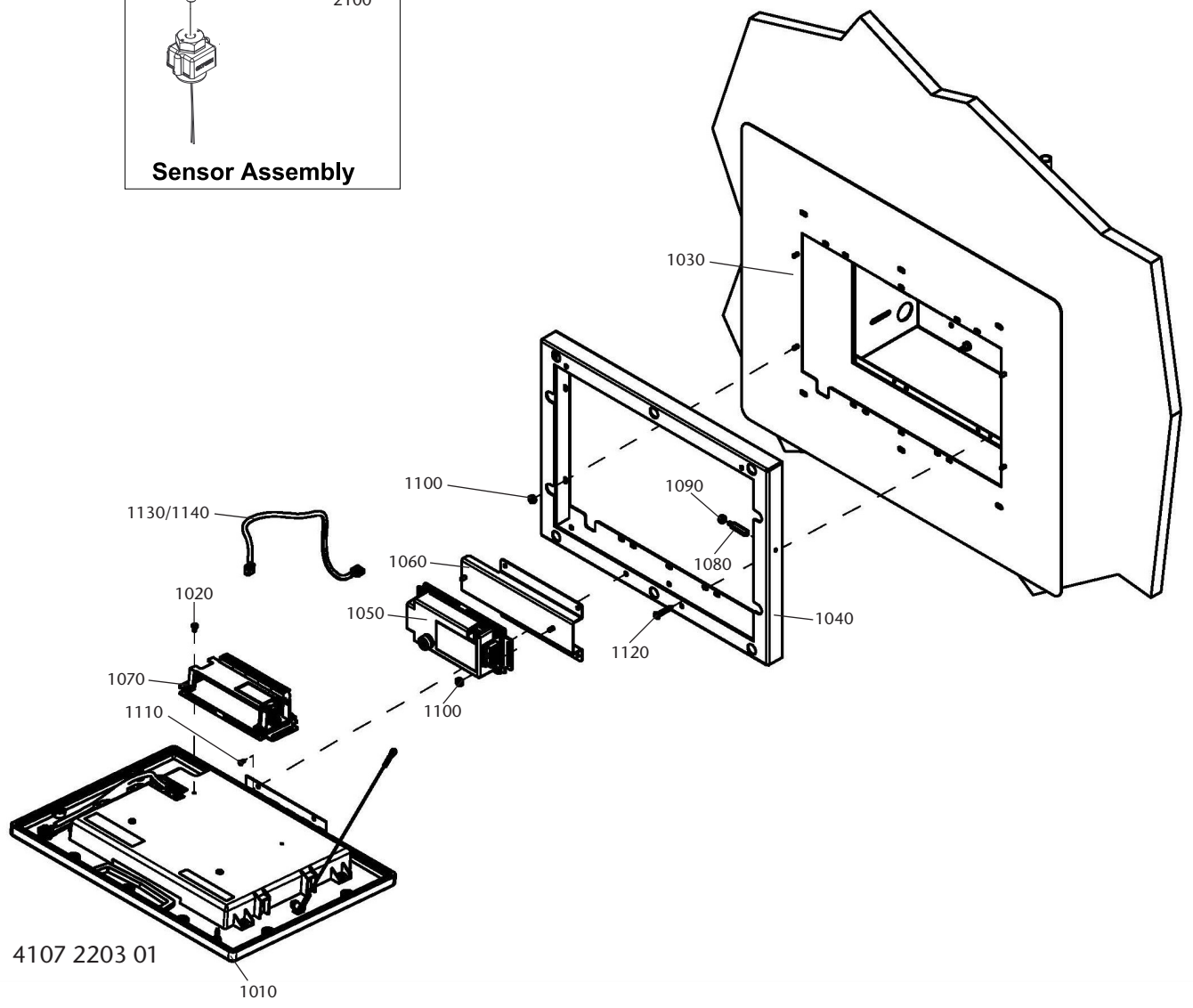
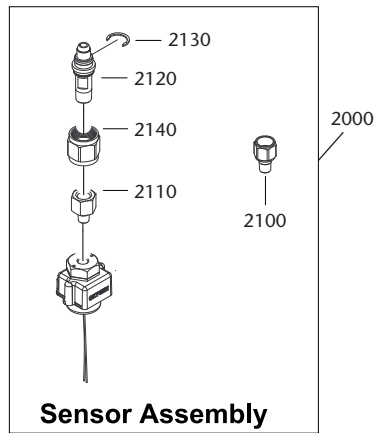
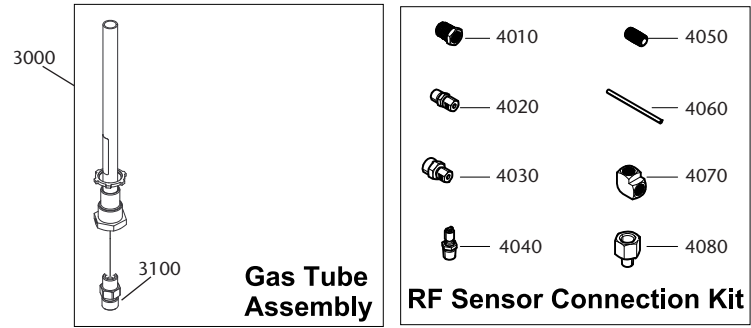
## Retrofit Rear Assembly Master, Area, Combo

5

Ref.No.	Part Number	Qty	Name	Remarks
1010		1	Front Panel Assembly	<b>(Refer to Chapter 1)</b>
1020	811608-00	4	Screw # 6-32 x .25"L	
1030	4107 6538 95	1	Trim Plate	
1040	4107 6538 92	1	Front Panel Mounting Bracket	
1050	4107 4016 37	1	Power Supply Module Asm (B05) Service Kit	
1060	4107 6539 03	1	Power Supply Adapter Bracket	
1070	4107 4016 38	-	B1X Module NFPA 20 inputs Service Kit	
-	4107 4016 39	-	B20 Module NFPA TA2 64 iinputs Service Kit	
-	4107 4016 41	-	B4X Relay Module NFPA 16 outputs Service Kit	
-	4107 4016 42	-	B50 M-20mA Module Service Kit	
-	4107 4016 43	-	B60 Module 8 gas inputs Service Kit	
-	4107 4016 44	-	B65 Gas Combo Module Service Kit	
1080	4107 6538 13	1	Standoff 6-32 m/f x 0.875L	
1090	4107 6523 38	AR	Nut # 6-32, ny-lock	
1100	827530-00	AR	Nut #6-32	
1110	4107 6540 01	2	Hinge Screw #6-32, 0.25"	
1120	814675-00	4	Screw #8 x 1.0"L	
1130	4107 6539 35	AR	Cable 12" Power / Communication	
1140	4107 6539 38	AR	Cable 20" Power / Communication	
2000		-	Sensor assembly	
	4107 4016 54		O2 Sensor Asm Service Kit	
	4107 4016 55		N2O Sensor Asm Service Kit	
	4107 4016 56		Air Sensor Asm Service Kit	
	4107 4016 57		Vac Sensor Asm Service Kit	
	4107 4016 58		N2 Sensor Asm Service Kit	
	4107 4016 59		IAIR Sensor Asm Service Kit	
	4107 4016 60		WAGD Sensor Asm Service Kit	
	4107 4016 61		CO2 Sensor Asm Service Kit	
	4107 4016 62		CO2-O2 Sensor Asm Service Kit	
	4107 4016 63		O2-CO2 Sensor Asm Service Kit	
	4107 4016 64		He-O2 Sensor Asm Service Kit	
	4107 4016 65		O2-He Sensor Asm Service Kit	
	4107 4016 66		He Sensor Asm Service Kit	
	4107 4016 67		LabAir Sensor Asm Service Kit	
	4107 4016 68		LabVac Sensor Asm Service Kit	
	4107 4016 69		O2-100 Sensor Asm Service Kit	
	4107 4016 70		Air-100 Sensor Asm Service Kit	
	4107 4016 71		CO2-100 Sensor Asm Service Kit	
	4107 4016 72		AR Sensor Asm Service Kit	
	4107 4016 73		AGSS Sensor Asm Service Kit	
	4107 4016 74		N2O-O2 Sensor Asm Service Kit	
2100		1	DISS Adapter	
	121209-10		Oxygen	
	121209-11		Nitrous oxide	
	121209-12		Medical Air	
	121209-13		Vaccum	
	121209-14		Nitrogen	
	121209-19		WAGD	
	121209-20		CO2 and CO2-O2	

# Medical Gas Notification System

5



# Medical Gas Notification System

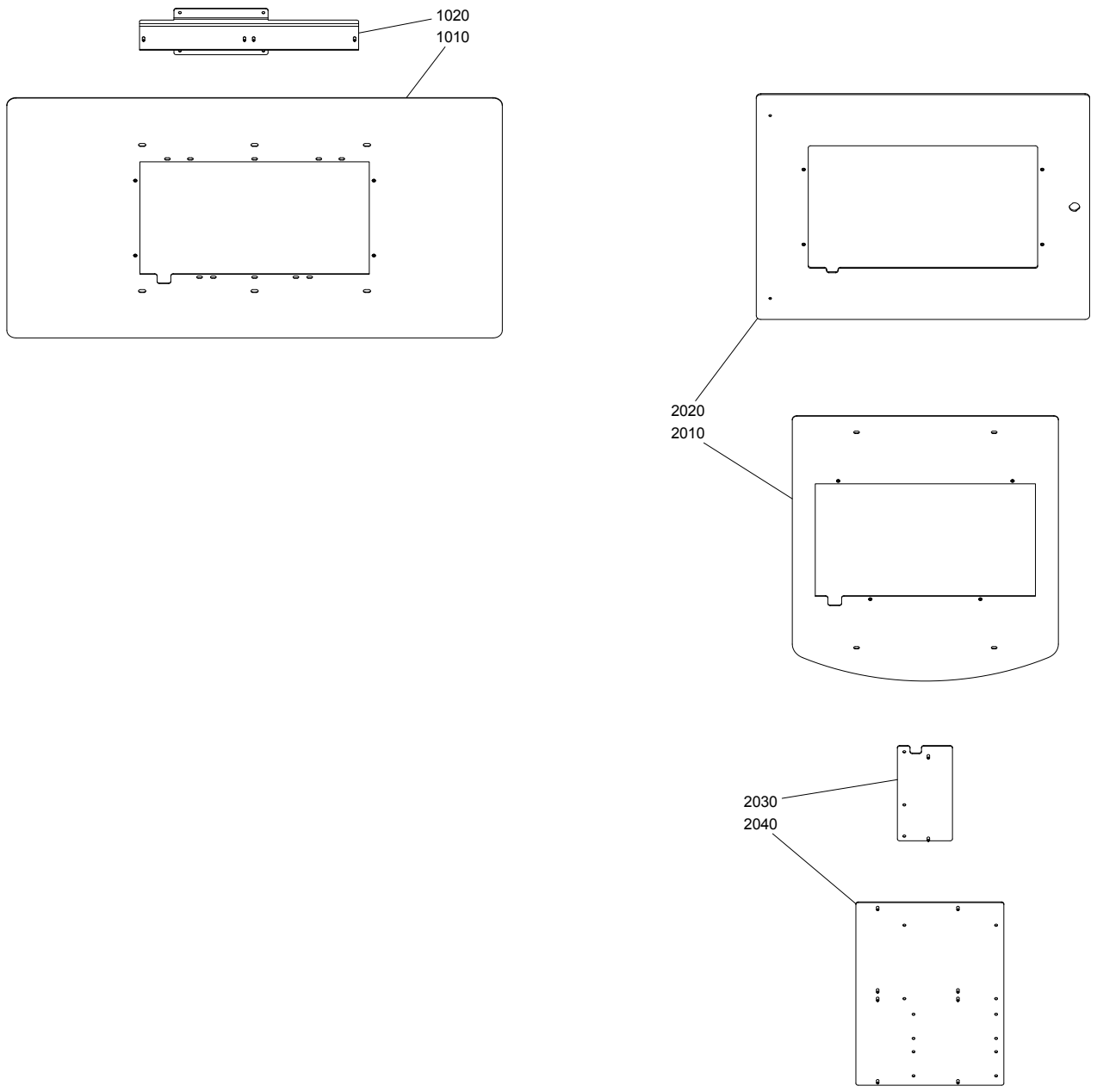
## Retrofit Rear Assembly Master, Area, Combo

5

2110	835001-00	1	Adaptor, NPT 1/4" x 1/8"
2120		1	DISS Nipple
	511620-00		Inst.Air & Lab Air
	511614-00		O2-CO2
	511616-00		He-O2 & Helium
	511617-00		O2-He
	4107 6551 62		Argon
	4107 6551 65		N2O-O2
2130		1	Retaining Ring
	835601-00		0.608" ID
	835910-00		0.497"ID
2140		1	DISS Nut
	4107 6551 63		Argon
	4107 6551 66		N2O-O2
	511511-00		CO2-O2,O2-CO2,He-O2,O2-He
	511518-00		Inst.Air & Lab Air
<b>3000</b>	-	<b>1</b>	<b>Gas tube assembly (Contact Customer Service For Part No.)</b>
3100		1	Adapter, DISS Check
	121211-10		Oxygen
	121211-11		Nitrogen
	121211-12		Medical Air
	121211-13		Vaccum & Lab Vac
	121211-14		Nitrogen
	121211-18		Inst Air & Lab Air
	121211-19		WAGD & AGSS
	121211-20		CO2 and CO2-O2
	121211-22		O2-CO2
	121211-23		He and He-O2
	121211-24		O2-He
	<b>4107 7826 20</b>		<b>Rf sensor connection kit</b>
4010	835000-00	1	Bushing 1/4" NPTM x 1/8" NPTF
4020	515808-00	1	Connector 1/8" NPTM x 1/8" Tube Compression
4030	515809-00	1	Connector 1/8" NPTF x 1/8" Tube Compression
4040	512550-00	1	Adapter Hansen 180" x 1/8" NPTM
4050	271536000F	1	Nipple 1/8" NPT Close
4060	4107 6503 73	1	Copper Tube 1/8"
4070	4107 6504 05	1	Elbow 1/8" NPTF
4080	835001-00	1	Adapter 1/8" NPTM x 1/4" NPTF

# Medical Gas Notification System

## 6



# Medical Gas Notification System

---

## Optional Trim Panel kit

6

---

Ref.No.	Part Number	Qty	Name	Remarks
	<b>4107 2206 15</b>		<b>8-Gas Wide (16x27)</b>	
1010	4107 6538 96		BRK Trim Plate TA2 NFPA 16x27	
1020	4107 6539 04		BRK Adapter 2-module M2/TA2 RF	
	<b>4107 2206 16</b>		<b>TA1</b>	
2010	4107 6538 98		BRK Trim Plate TA1	
2020	4107 6538 99		BRK Trim Plate TA1 Double	
2030	4107 6539 05		BRK Power Adapter TA1	
2040	4107 6539 06		BRK I/O Mounting plate TA1	







1800 Overview Drive Rock Hill, SC 29730  
(888) 4-MEDGAS (888) 463-3427  
Fax (803) 817-5750  
[www.beaconmedaes.com](http://www.beaconmedaes.com)