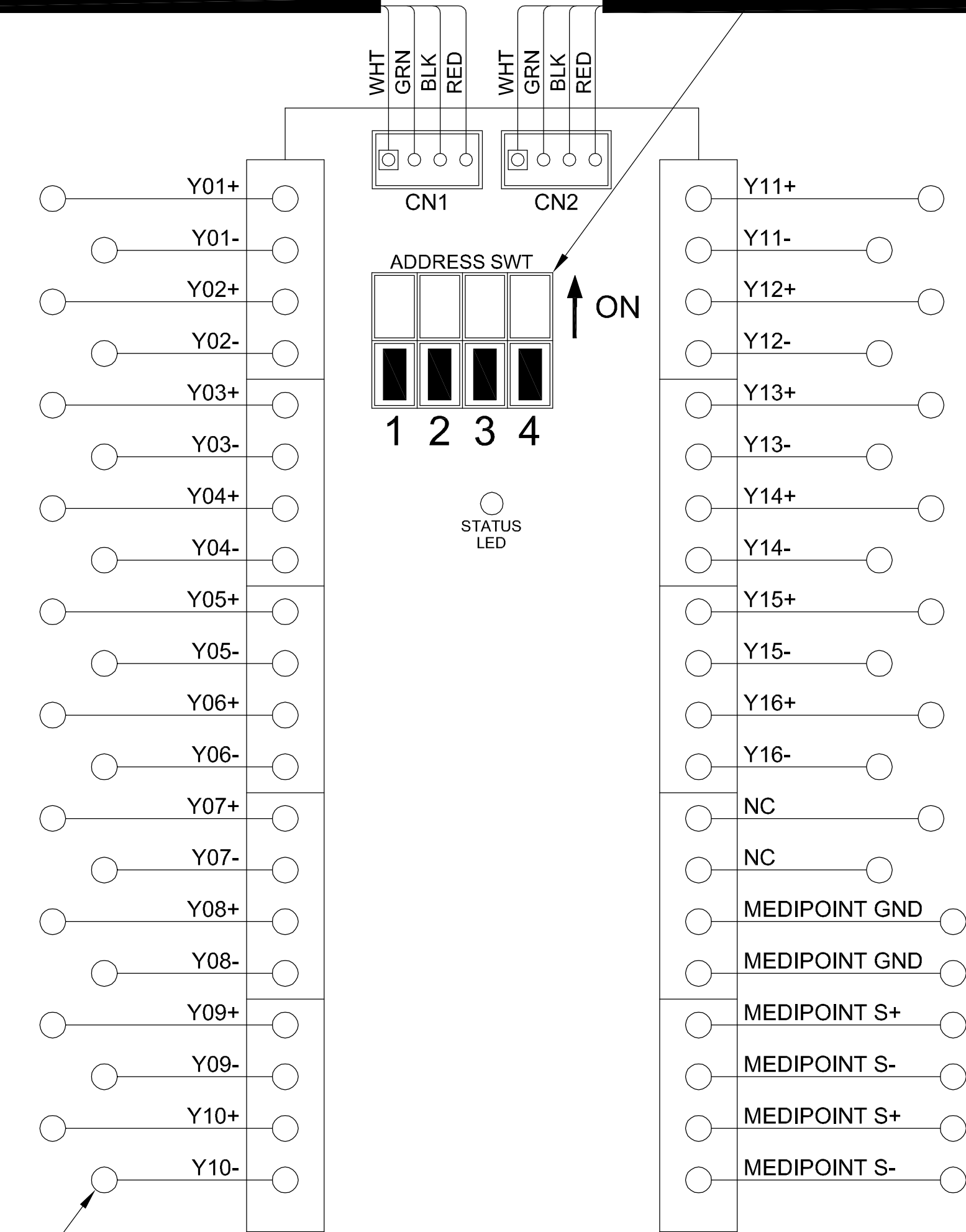


1. MAIN DISCONNECT PROVIDED BY OTHERS
2. FIELD POWER WIRING TO BE COPPER RATED FOR 75°C MINIMUM.
3. FIELD SIGNAL WIRING TO BE MINIMUM 22AWG
MULTI-CONDUCTOR CABLE MUST BE TWISTED PAIR TYPE WITH SHIELD
TOTAL CIRCUIT LENGTH NOT TO EXCEED 10,000' AND 1K OHM RESISTANCE
4. - - - - INDICATES FIELD WIRING OUTSIDE OF BOX.
5. SIGNAL INPUTS FROM DRY NORMALLY-CLOSED CONTACTS
FROM SOURCE EQUIPMENT OR LINE PRESSURE SWITCHES.
6. RELAY OUTPUT CONTACT RATED 3A / 30VDC MAX.
7. SEE MODULE LABEL TO SET MODULE ADDRESS (POSITIONS 2, 3 & 4).
VERIFY WITH TABLE 1
8. SET ADDRESS SWT POSITION 1 TO "ON" FOR LAST MODULE IN CHAIN ONLY.

NOTES 7 & 8

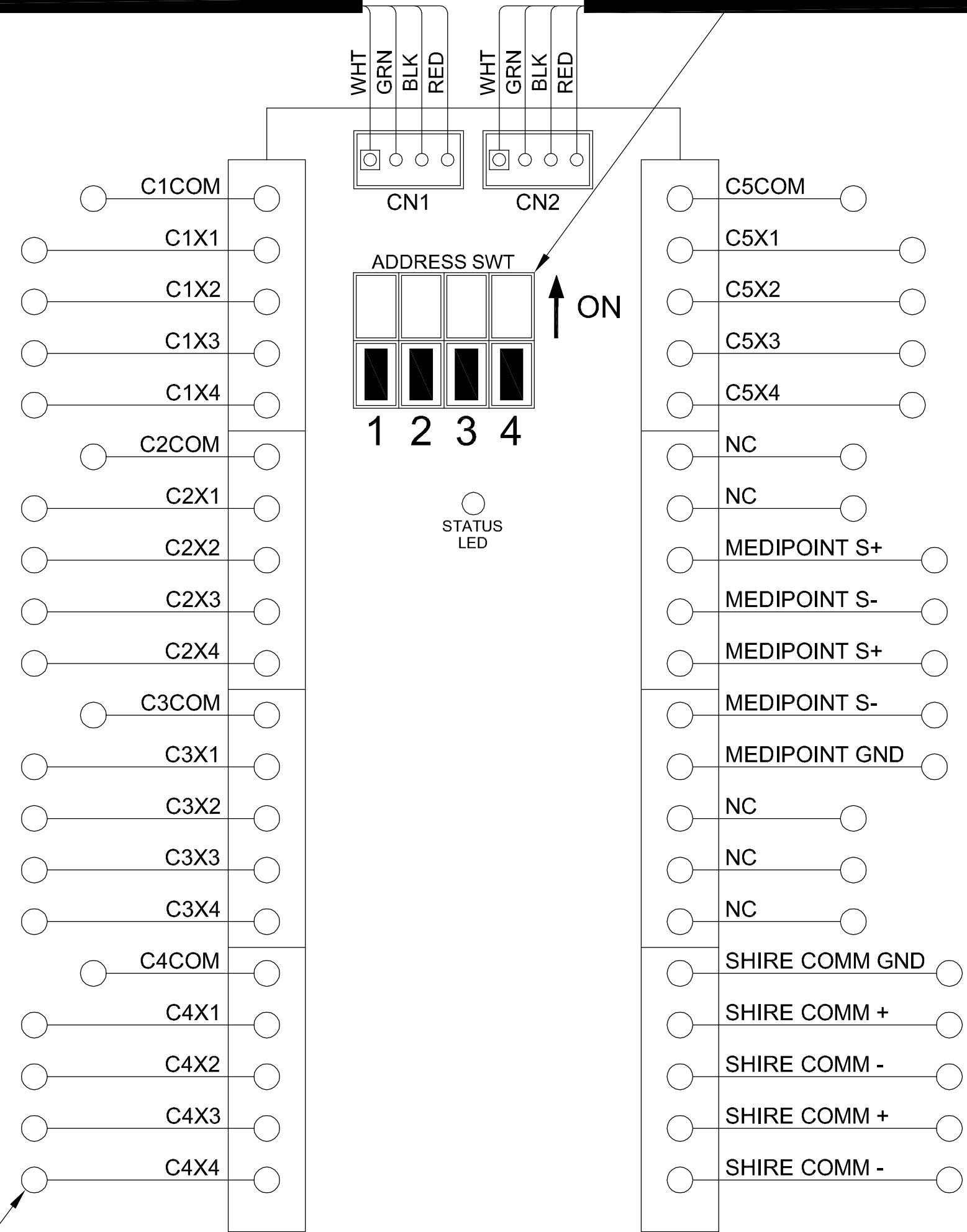
NOTES 7 & 8



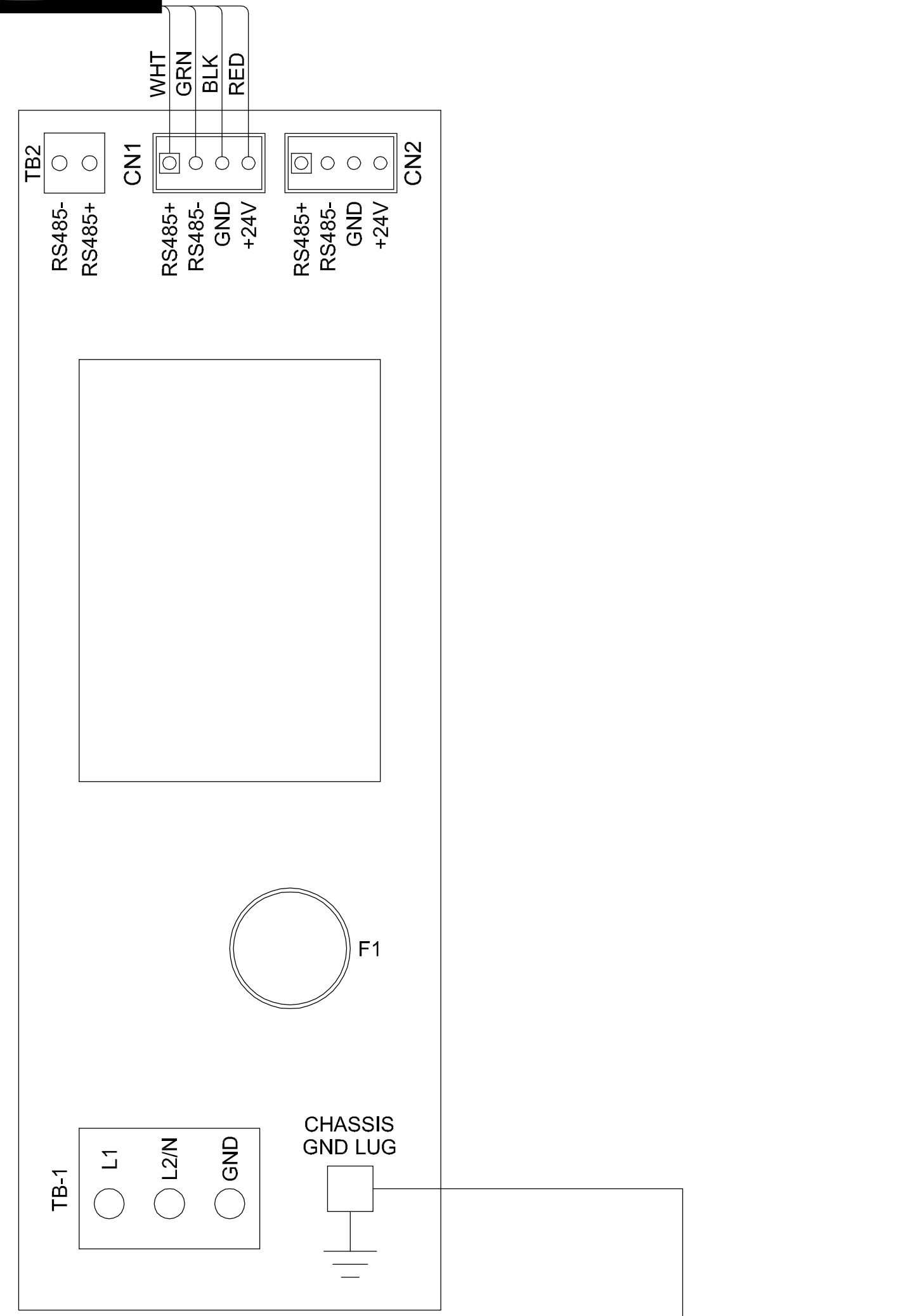
NOTE 6
(ALL OUTPUTS)

**B4X RELAY 16
OUTPUT MODULE (OPTIONAL)**

NOTE 5
(ALL INPUTS)

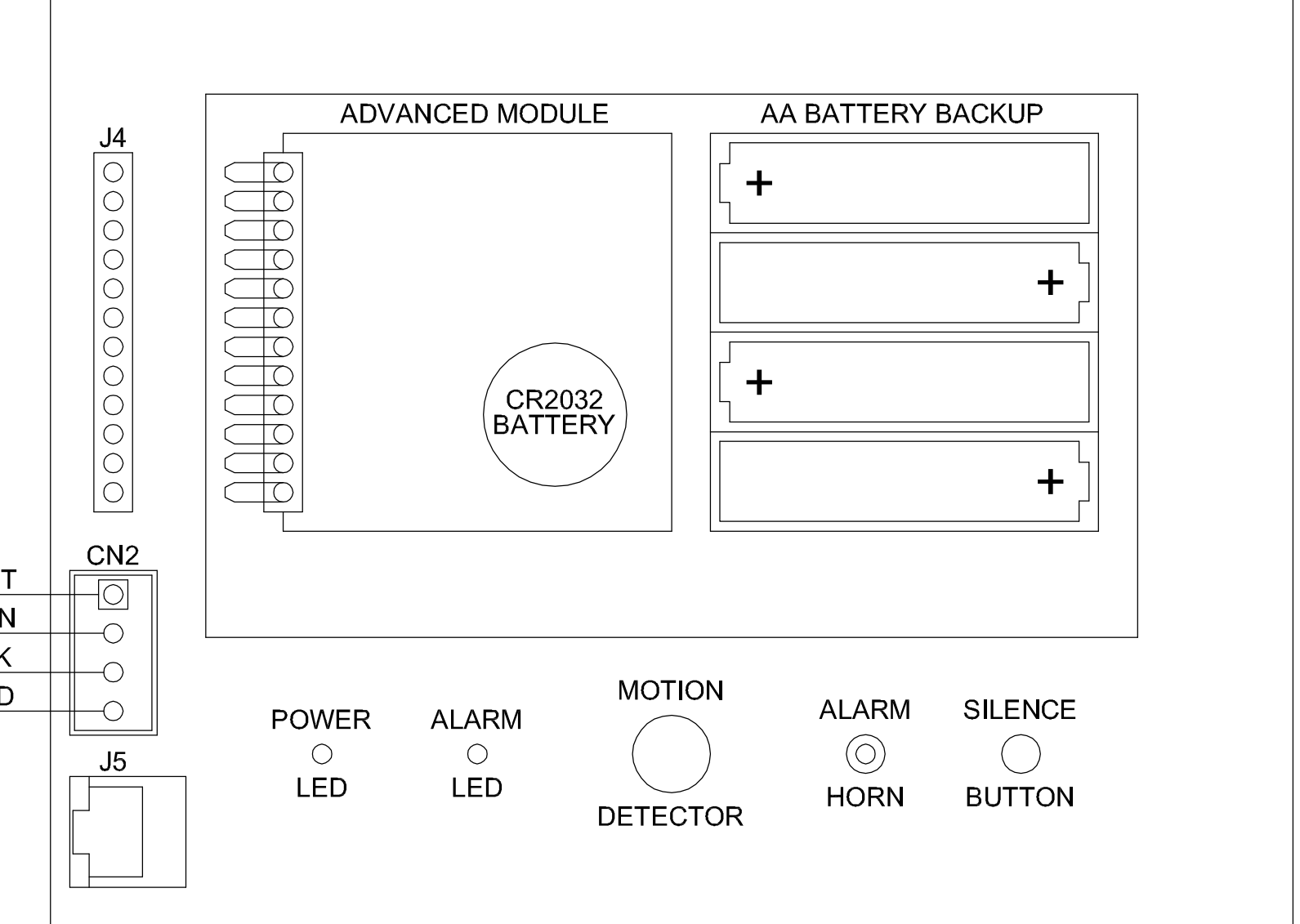


**B30 INPUT
MODULE**



**B05 POWER
MODULE
100-250VAC
1Ø 50/60Hz**

FRONT DISPLAY/TOUCH PANEL



HTM FRONT PANEL

MODULE ADDRESS SWITCH SETTINGS

| | B4X MODULE SWT | | | | B30 MODULE SWT | | | |
|-----|----------------|-----|-----|-----|----------------|-----|-----|-----|
| | 1 | 2 | 3 | 4 | 1 | 2 | 3 | 4 |
| B40 | 8 | off | off | off | 8 | off | off | off |
| B41 | NOTE | ON | off | off | NOTE | | | |
| B42 | NOTE | off | ON | off | NOTE | | | |
| B43 | NOTE | ON | ON | off | NOTE | | | |

TABLE 1